

Plastic Blower WDH-AP11 (Q30)



Dear Customer,

You have chosen a high-quality product. To ensure that you get a lot of enjoyment from this product, here are a few more tips:

In case of any problems:

We hope that the unit meets your expectations! If, despite the greatest possible care, there should ever be cause for complaint, please contact us briefly, as we are very concerned about your satisfaction and would like to clear up any misunderstanding.

Description:

This plastic blower is very robustly manufactured and designed for a long service life. The housing is made of almost indestructible "Linear Rotational Plastic". The unit has a practical carrying handle. A long-life, high-performance single-phase motor is built into the unit. An air hose with a diameter of 30 cm can be connected in the process and/or in the overrun. Alternatively, with this blower it is also possible to connect a dust collection bag in the exhaust air area.

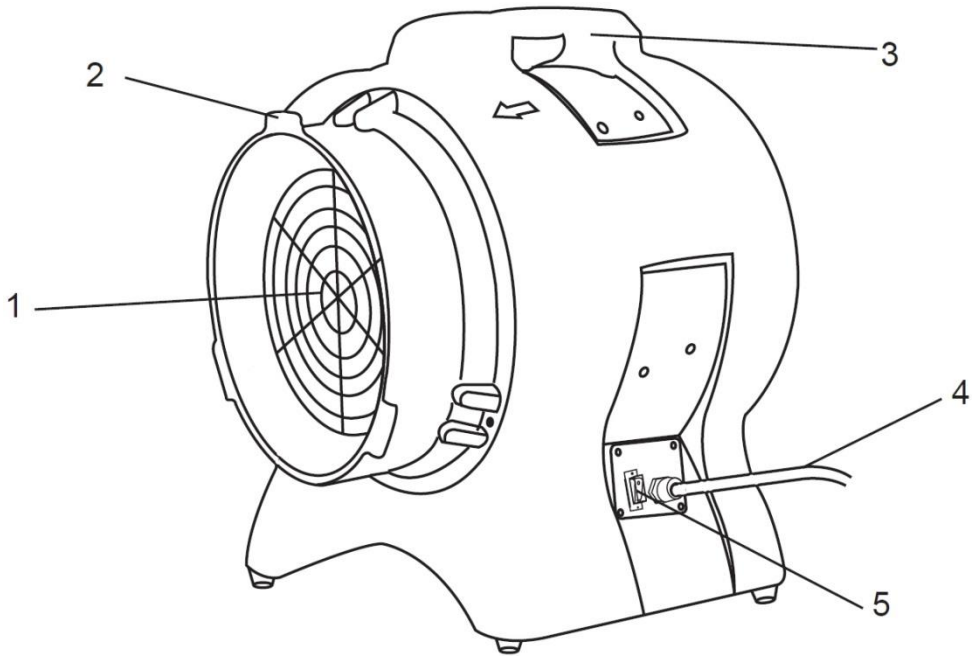
Important safety instructions:

- This blower is not suitable for use in the rain and/or in wet environments !
- Do not operate the unit in environments where there is a risk of coarse dust, debris or small objects being sucked in. These could damage the unit or be blown out like projectiles!
- Never walk with your head/face into the near area of the escaping wind stream, small particles or objects can be blown out with it, which can lead to injuries !
- Ensure that the blower stands securely and level !
- Never use the blower on moving surfaces, objects or vehicles ! There is a risk that the unit may tip over !
- Supervise the fan when children are near the unit !
- Never enter or insert objects into the appliance !
- Do not place any objects on the fan !
- Do not block the supply and/or exhaust air of the unit and please ensure sufficient space/clearance around the unit !
- Ensure that there is sufficient air supply to the unit, otherwise it can lead to a reduction in performance and, in the worst case, to overheating and/or fire !
- Only qualified personnel or electricians are allowed to open the unit !
- Make sure that no moisture gets into the unit !
- Only use the recommended voltage for operating the unit !
- Make sure that the power cable is unfolded (untied) before connecting it to the socket !
- Make sure that the plug is cleanly and properly connected to the socket before using the appliance !
- Never reach near the plug or socket with wet hands !
- Do not repair defective or damaged cables on the unit yourself, you could get a severe electric shock !
- Make sure that highly flammable substances (e.g. gases/oils etc.) are never in the vicinity of the unit !
- If you are not going to use the unit for a long time, switch it off and disconnect the mains plug !
- Do not disconnect the mains plug by pulling on the power cable !

Please switch off the unit immediately and disconnect it from the mains/power supply if anything seems to be wrong !!! In this case, please contact a specialist and do not attempt to repair the unit yourself !!!

Example: Fan does not run during operation or fuse has blown.

Description of the unit parts:



1. Protective grille
2. Plastic spigot for hose connection or for a dust bag
3. Carrying handle
4. Power cable
5. On / Off switch

Instructions for use:

1. Operational environment

- The maximum operating temperature should not exceed +40°C !
- The maximum relative humidity should not exceed 90% !
- The unit should not be operated at altitudes higher than 1,000 metres above sea level!

2. Commissioning

2.1. Set up the blower so that the air stream flows in the desired direction after switching on. Please note that the exhaust side of the fan is on the left-hand side when looking at the on/off switch and the intake side is on the right-hand side when looking at the on/off switch!

2.2. Now insert the mains plug properly into the socket.

2.3. The fan is switched on by a toggle switch (ON/OFF) located on the side of the unit.

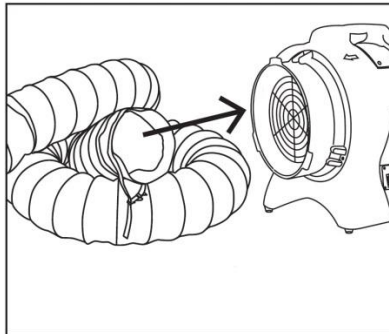
O = OFF
I = ON

3. Connection of air hoses or a dust bag

This blower has a practical plastic nozzle at the front and back. You can connect an air hose with a diameter of 30 cm to this either in the process (air is sucked in from a targeted location) or in the aftermath (air is transported to a targeted location).

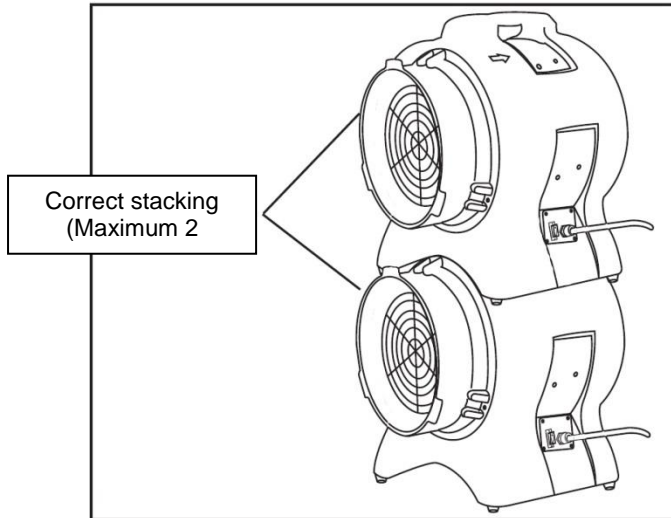
Alternatively, you have the option of attaching a dust collection bag in the exhaust air area. The blower can then be used as a practical air hoover. Construction dust, for example, can then be collected quickly for the most part.

A suitable dust bag is available from us as an accessory.



4. Other operating instructions

The unit is designed so that two (2) identical units can be stacked on top of each other.



5. Maintenance, Cleaning & Storage

Please always disconnect the mains plug first and allow the fan to run down completely before carrying out any cleaning activities on your appliance !

5.1 Maintenance:

A professional should treat the fan shaft with lubricating oil approx. every 1,500 operating hours to ensure optimum operation and a long service life of the fan.

5.2 Cleaning:

- Use a soft and damp cloth to clean the outside of the unit.
- Only use mild cleaning agents to clean your blower.
- Please ensure that water does not get into the interior of the unit or the electrical control box at any time !

5.3 Storage:

- We recommend covering the unit for storage or ideally packing it in its original box.
- Store the unit in a dry and sufficiently ventilated place/space.

Technical data:

Model designation:	WDH-AP11 (Q30)
Voltage:	230V / 50Hz
Max. Power consumption:	510 W (2.3 A)
Air circulation:	Approx. 2200 m ³ /h
Protection class:	IPX0
Noise emission:	Approx. 85 dB
Diameter air duct:	Approx. 30 cm
Max. Speed:	2,900 rpm.
Dimension (H/W/D):	540 x 355 x 457 mm
Weight:	15 kg

We reserve the right to make deviations in the technical data!

Other:

Warranty statement:

Notwithstanding the statutory warranty claims, the manufacturer grants a warranty in accordance with the laws of your country, but at least 1 year (in Germany 2 years for private individuals). The warranty begins on the date of sale of the appliance to the end user.

The guarantee only covers defects that are due to material or manufacturing faults.

Warranty repairs may only be carried out by an authorised customer service. To make a warranty claim, please enclose the original sales receipt (with date of sale).

Excluded from the guarantee are:

- Normal wear
- Improper applications, such as overloading the appliance or non-approved accessories.
- Damage due to external influences, use of force or foreign objects
- Damage caused by non-observance of the operating instructions, e.g. connection to an incorrect mains voltage or non-observance of the assembly instructions.
- Completely or partially dismantled units

Conformity:

The plastic fan has been tested and itself and/or parts thereof have been manufactured under the following (safety) standards: **CE (EMC + LVD) compliance.**

CE conformity tested according to:

EN 55014-1:2006+A1:2009+A2:2011
EN 55014-2:1997+A1:2001+A2:2008
EN 61000-3-2:2014, EN 61000-3-3:2013
EN 60335-1:2012+A1:2014
EN 60335-2-80:2003+A1:2004+A2:2009

Correct disposal of this product:



Within the EU, this symbol indicates that this product should not be disposed of with household waste. Waste equipment contains valuable recyclable materials that should be recycled and not harm the environment or human health through uncontrolled waste disposal. Therefore, please dispose of old appliances via suitable collection systems or send the appliance for disposal to the place where you purchased it. They will then recycle the appliance.

We hope you enjoy using this appliance:

Your Aktobis AG

Keep these instructions for use in a safe place !

